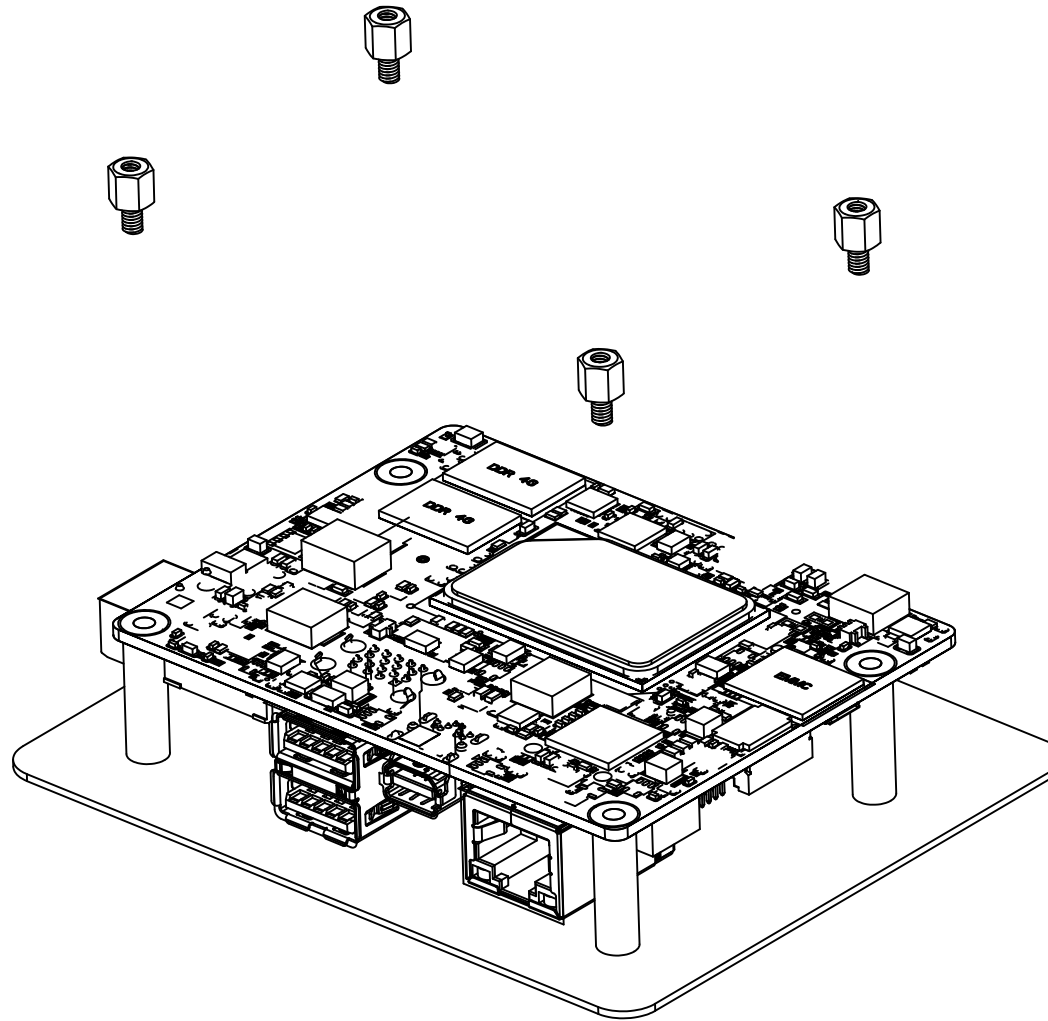
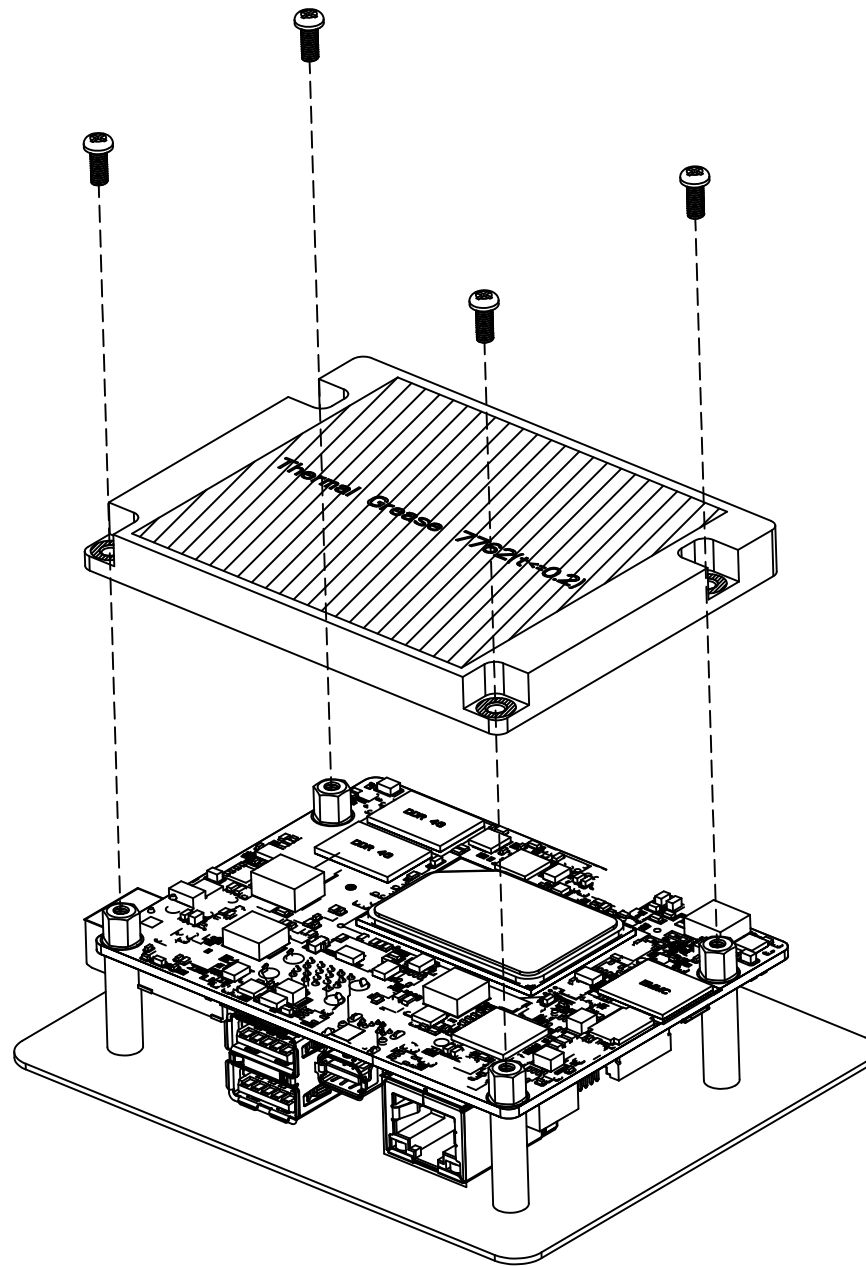


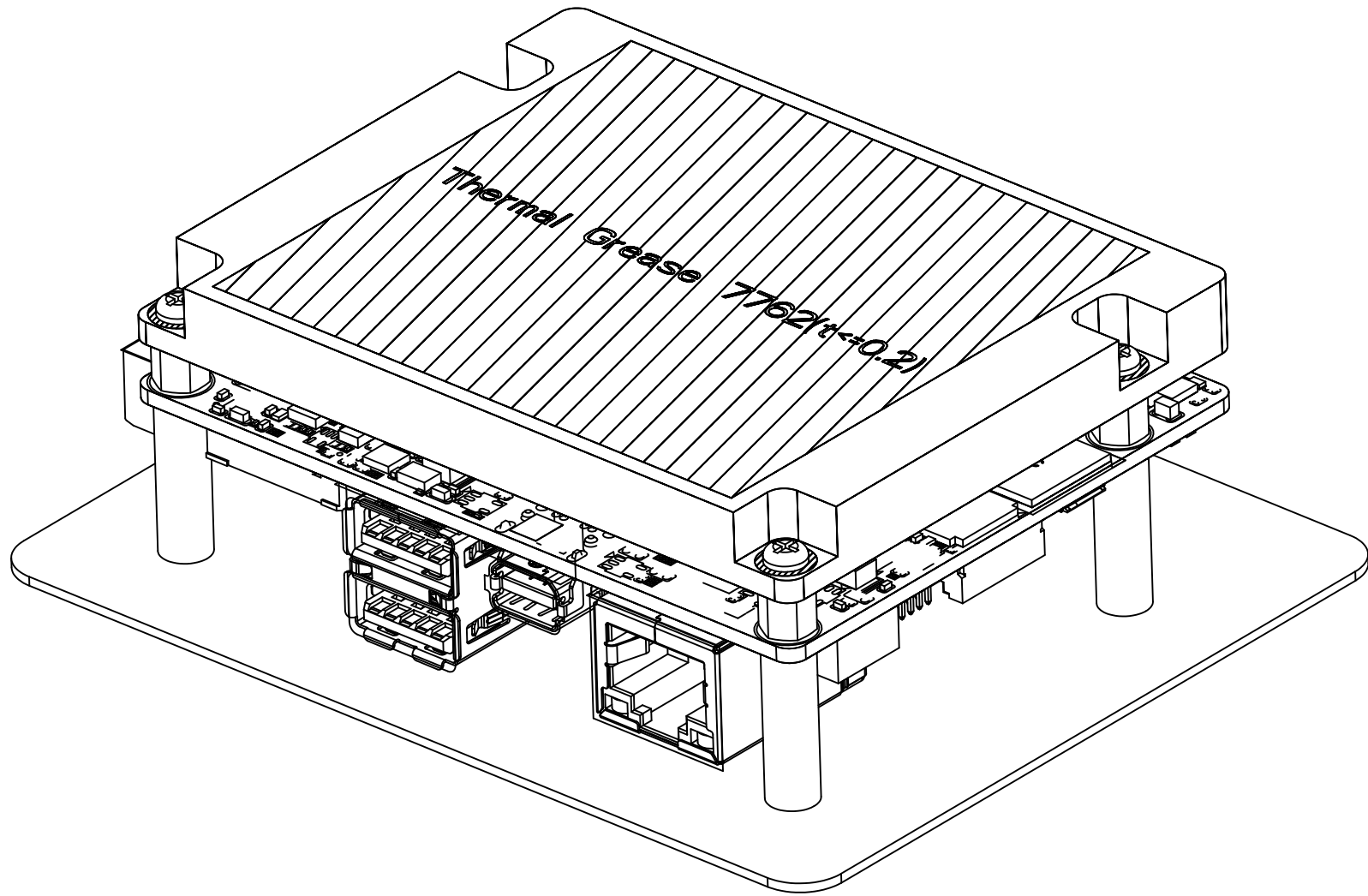
1.Pre-fix the mainboard on chassis.



2. Use accessories pack M2.5 hex nuts to assembled to motherboard bottom cover



3. Use accessories pack M2.5 hex nuts to assembled Heatspreader to motherboard stand-off



4.Heatspreader assembled.